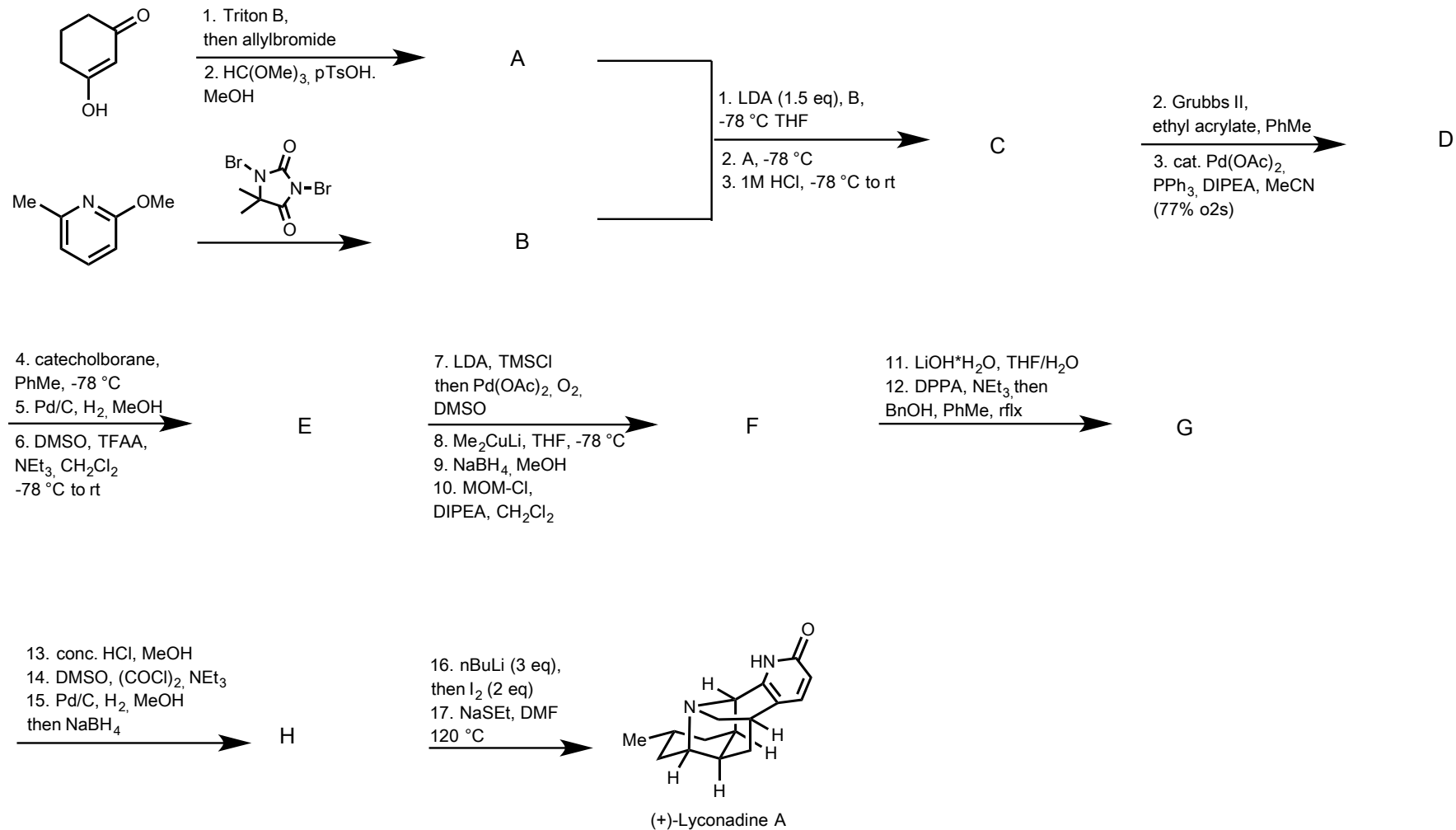


Total Synthesis of (+)-Lyconadine A

Scott P. West, Alakesh Bisai, Andrew D. Lim, Raja R. Narayan, Richmond Sarpong; J. Am. Chem. Soc. 2009, 131, 11187.



An eight-step gram-scale synthesis of (-)-jadifenolie
Hai-Hua Lu, Michael D. Martinez, Ryan A. Shenvi; Nat. Chem. 2015, 7, 604.

